

Float Switch

The Stuart Float Switch is designed for simple, reliable control of a pump dependent on the water level in a tank or sump.

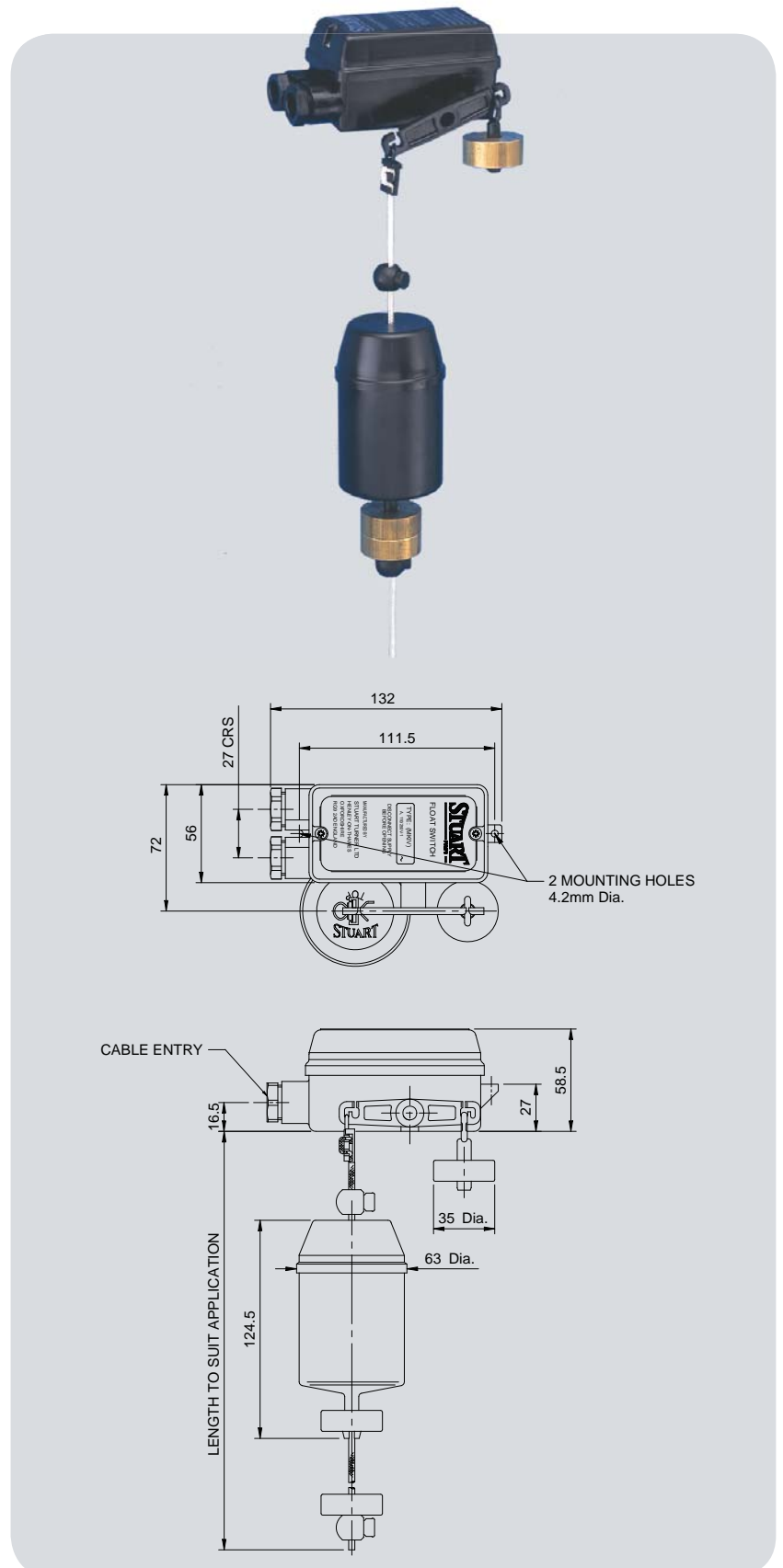
The Stuart Float Switch can be used to control a pump for either tank filling (a high level cutout) or tank emptying (a low level cutout). It is easily achieved by the positioning of the float cord at the time of assembly. Settings to alter changes in liquid level are adjustable between a range of 50 to 700 mm using clips on the float cord.

All electrical connections are made inside the box on a terminal strip. Two cable glands are provided that are also suitable for M20 conduit if required.

Reliable, easy to install and simple wiring make the Stuart Float Switch second to none.

Construction

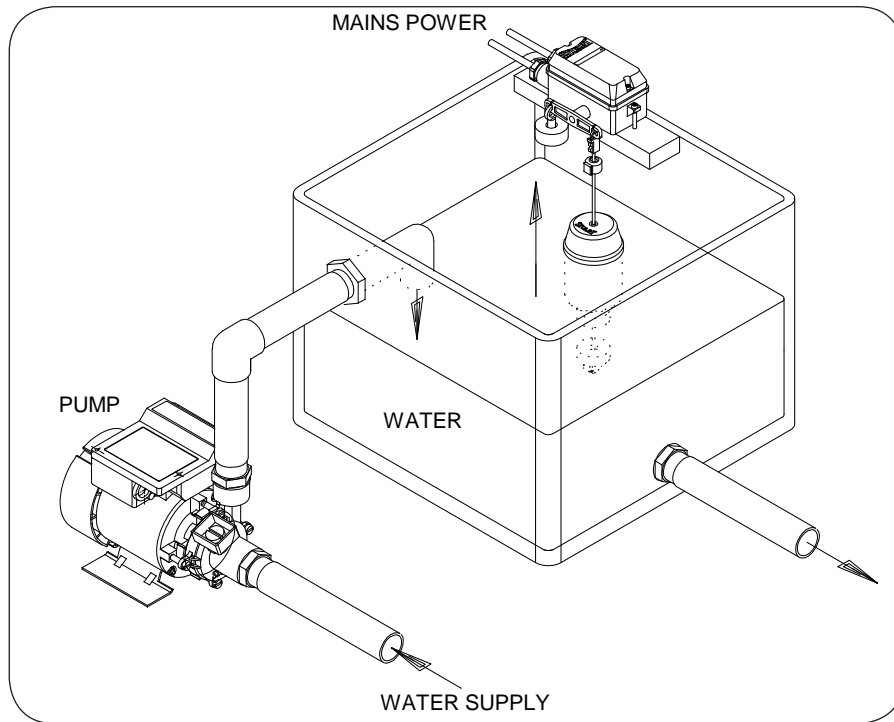
The electrical contact is made using a micro switch, activated by the rocking motion of the lever due to the rise and fall of the float. All other parts of the switch are made from plastic, specially stabilised against ultra violet rays from the sun for long life in hot climates. Weights are in brass. Movement of the float is transmitted via easily adjustable stops on the cord set to the operating lever, ensuring a positive make or break action. A 1 metre nylon cord is provided as standard. The standard plastic float (62 mm dia.) is suitable for water only up to a maximum temperature of 50°C.



Float Switch

Operating Conditions

The diagram below shows a typical high level cutout (tank filling) installation for the Stuart Float Switch.



Electrical Rating

All Stuart Mk IV Float Switches are constructed in accordance with EN60335. Both the F1 20/8 and F2 6/3 incorporate micro switches that meet with the following approvals:

SEV	DEMKO	UL
VDF	KEMA	CSA
SEMKO	UTE	
NEMKO	BEAB	

When using these Float Switches to directly switch a pump or any other motorised equipment, the continuous rating should not exceed the inductive loading indicated for each Float Switch above. If higher current loadings need to be switched, then a contactor starter should be used (wiring diagrams included). For application with 3 phase motors it must be wired via a contactor starter.

All electrical installations should be in accordance with the relevant wiring regulations by a competent person.

Electrical

Model	Type	Voltage	Max. Current Rating		Part No.
			Resistive	Inductive	
F1 20/8 MKIV	Single Pole	110-250V a.c.	20 Amp	8 Amp	26638

Packaging Specification

Carton Dimensions L x W x H (mm)	Gross Weight (Kg)
160 x 140 x 80	0.6

Stuart Turner Ltd
Henley-on-Thames
Oxfordshire RG9 2AD
England

Telephone: +44 (0)1491 572655
Fax: +44 (0)1491 573704

Email: pumps@stuart-turner.co.uk
Web: www.stuart-turner.co.uk

V.A.T. REG. No. 199 0987 92.
Registered in England No. 88368.
Registered Office:
Market Place, Henley-on-Thames

**STUART
TURNER**